

Giada PC67

OPS Standard PC with Kaby Lake Processor for Interactive Whiteboard and Digital Signage Application



Features

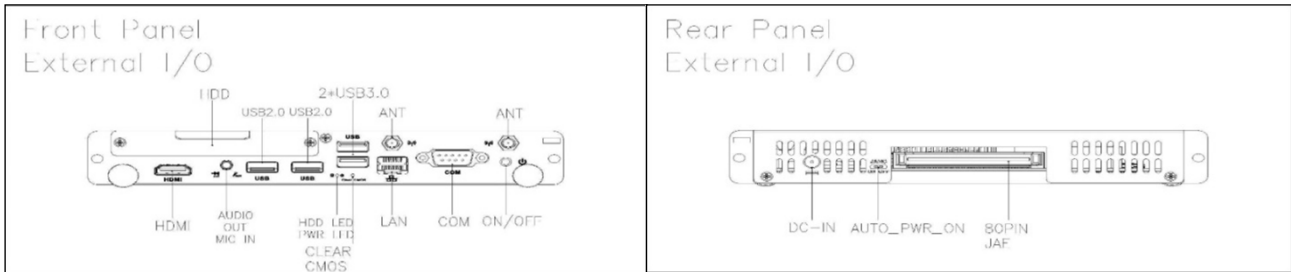
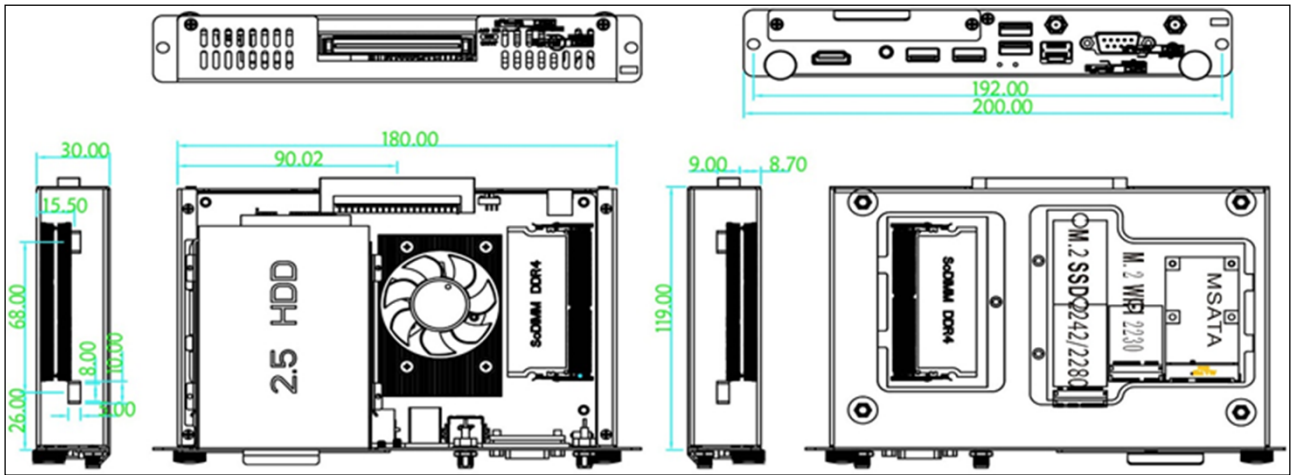
- 7th Generation Intel® Core™ Processors (Kaby Lake)
- Max. 32GB DDR4 2133MHz, Dual Channel
- Support Up to 4K Video Resolution
- Supports H.264 and H.265 Decoding
- Compliant to OPS Standard

Specifications

RoHS CE FC CCC

		PC67-N1-7500U40H0G-GIA	PC67-N1-7200U40H0G-GIA	PC67-N1-7100U40H0G-GIA
Processor	CPU	Intel® Core™ i7-7500U Processor	Intel® Core™ i5-7200U Processor	Intel® Core™ i3-7100U Processor
	Frequency	2.7 fps(up to 3.5 fps)	2.5 fps(up to 3.1 fps)	2.4 fps
	BIOS	AMI 64MB SPI BIOS		
	Chipset	Integrated		
Memory	Type	DDR4 2133MHz		
	Socket	2 x 260-pin SO-DIMMs DDR4		
	Max Size	32 GB		
Graphics	GPU	Integrated Intel® HD Graphics 620		
	Graphic Engine	DirectX12, OpenGL4.4 and OpenCL 1.2		
	JAE(HDMI+DP)	HDMI(Max. 4096 x 2160 @30Hz), DP(Max. 4096 x 2160 @60Hz)		
	HDMI1.4b	1 x HDMI(Max. 3840 x 2160 @30Hz)		
Network	Controller	Realtek RTL8111F, Gigabit Ethernet, Wake-on-LAN Support		
	Interface	1 x RJ45		
I/O	USB	2 x USB 3.0, 2 x USB 2.0		
	Display Interface	1 x JAE, 1 x HDMI1.4b		
	LAN	1 x RJ45		
	Audio	1 x MIC-IN, 1 x AUDIO OUT		
	Mini-PCIe (Internal)	1 x M.2(2230) with Wi-Fi / BT Module support		
	Serial Port	1 x COM Port (DB9)		
	LED Indicators	1 x Power, 1 x HDD Access		
Storage	SATA	1 x 2.5" SATA Drive Bay (Max Height 7.5mm)		
	mSATA	1 x mSATA III		
	M.2	1 x M.2 With 2242/2280 PCIe Support		
JAHC (JEHE Patented Tech)	WatchDog Timer	Yes, 0~255 Second Time Out Support		
	Auto Power On	Yes, Power Activated Automatically Start		
	RTC	Yes, Set Up Independently Every day, A Week as a Cycle		
	Power Remote Control	Yes, By IR Controller		
	Wake On Lan	Yes		
Operation System	Windows	Windows 10 (64bit)		
	Linux	Supported		
	Android	N/A		
Power	Power Type	DC-IN		
	Power Adapter	12~19V		

		PC67-N1-7500U40H0G-GIA	PC67-N1-7200U40H0G-GIA	PC67-N1-7100U40H0G-GIA
Mechanical	Dimensions (W x D x H)	200mm x 119mm x 30mm		
	Fanless	No		
	Construction	Metal		
	Mounting	Wall Mount		
	Weight	0.74 kg (1.63 lb)		
Environment	Operating Temperature	0°C ~ 40°C at 0.7m/s air flow		
	Storage Temperature	-20°C ~ 60°C		
	Relative Humidity	95%@40°C (non-condensing)		
Certification	EMC	CE/FCC Class B, CCC		
	Safety	CE/FCC LVD, CCC		



Order Information

Part Number	Intel CPU	RAM	JAE	HDMI	GbE	USB	Audio	Mini-PCIe	2.5" HDD bay	Operating Temperature
PC67-N1-7500U40H0G-GIA	i7-7500U	up to 32GB	1	1	1	3 x USB3.0 3 x USB2.0	MIC-IN LINE-OUT	2 x Full-length	1	0°C ~ 40°C
PC67-N1-7200U40H0G-GIA	i5-7200U									
PC67-N1-7100U40H0G-GIA	i3-7100U									

Packing List

Part Number	Description	Part Number	Description
-	1 x PC67	-	1 x Driver Disk
-	1 x User Manual	-	1 x Power Adapter
-	1 x AC power cable	-	1 x Wi-Fi antenna

The product appearance, specifications and features are subject to change. Giada reserves the right of final interpretation for the content hereinabove.